

ebm-papst Mulfingen GmbH & Co. KG

Bachmühle 2 · D-74673 Mulfingen

Phone +49 7938 81-0

Fax +49 7938 81-110

info1@de.ebmpapst.com

www.ebmpapst.com

Limited partnership · Headquarters Mulfingen

Amtsgericht (court of registration) Stuttgart · HRA 590344

General partner Elektrobau Mulfingen GmbH · Headquarters Mulfingen

Amtsgericht (court of registration) Stuttgart · HRB 590142

Nominal data

Type	W2G110-AK43-31	
Motor	M2G045-BA	
Nominal voltage	VDC	24
Nominal voltage range	VDC	16 .. 28
Method of obtaining data		fa
Speed (rpm)	min ⁻¹	4400
Power consumption	W	15
Max. back pressure	Pa	100
Max. back pressure	in. wg	0.4
Min. ambient temperature	°C	-25
Max. ambient temperature	°C	72

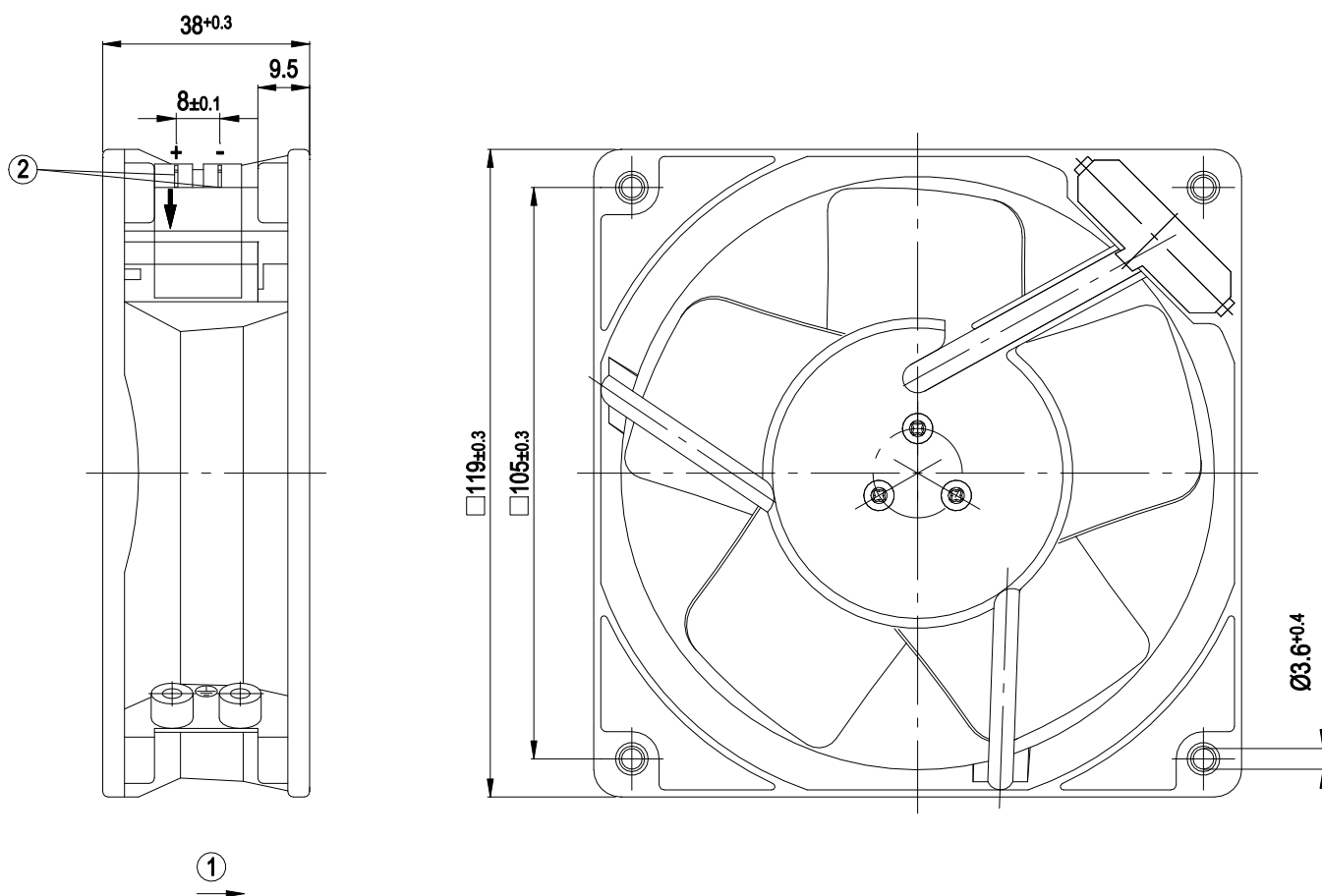
ml = Max. load · me = Max. efficiency · fa = Free air · cs = Customer specification · ce = Customer equipment
 Subject to change



Technical description

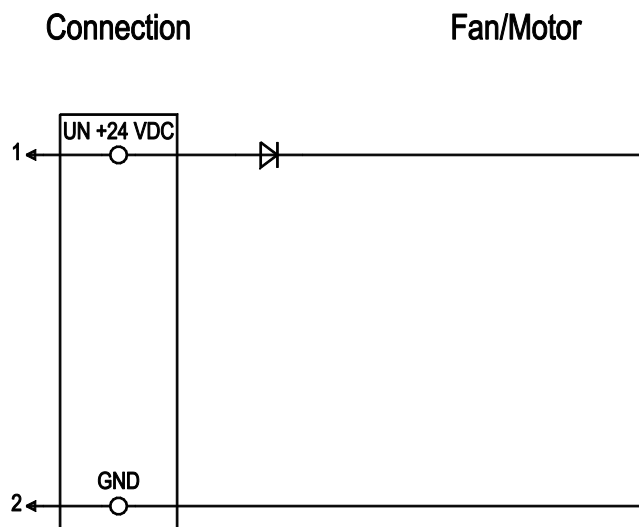
Weight	0.49 kg
Size	110 mm
Motor size	45
Rotor surface	Painted black
Blade material	Sheet steel, painted black
Fan housing material	Die-cast aluminum, painted black
Number of blades	5
Airflow direction	A
Direction of rotation	Counterclockwise, viewed toward rotor
Degree of protection	IP22
Insulation class	"B"
Moisture (F) / Environmental (H) protection class	H0+
Max. permitted ambient temp. for motor (transport/storage)	+ 80 °C
Min. permitted ambient temp. for motor (transport/storage)	- 25 °C
Installation position	Any
Condensation drainage holes	None
Mode	S1
Motor bearing	Ball bearing
Technical features	- Reverse polarity protection
Electrical hookup	Plug
Motor protection	Reverse polarity and locked-rotor protection
Conformity with standards	EN 60950-1
Approval	UL 507; EAC

Product drawing



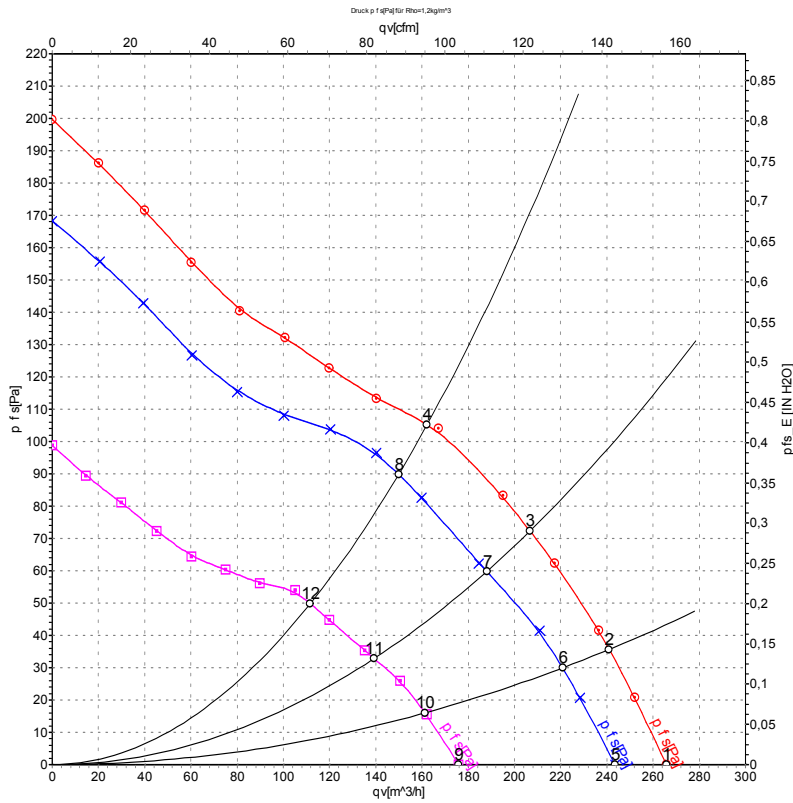
1	Direction of air flow "A"
2	2x flat plug 2.8 x 0.5 (AMP no. 170058-2)

Connection diagram



No.	Conn.	Designation	Color	Function/assignment
1		UN +24 VDC	red	Power supply 24 VDC, see nameplate for voltage range, maximum ripple $\pm 3.5\%$
2		GND	blue	Reference ground

Curves: Air performance



Measurement: LU-77463-1
 Measurement: LU-77462-1
 Measurement: LU-77464-1

Air performance measured according to ISO 5801 installation category A. For detailed information on the measurement setup, contact ebm-papst. Intake sound level: Sound power level according to ISO 13347 / sound pressure level measured at 1 m distance from fan axis. The values given are valid under the specified measuring conditions and may vary due to conditions of installation. For deviations from the standard configuration, the parameters have to be checked on the installed unit.

Measured values

	U	n	P _{ed}	I	q _v	p _{fs}	q _v	p _{fs}
	V	min ⁻¹	W	A	m ³ /h	Pa	cfm	in. wg
1	28	4755	21	0.83	265	0	155	0.00
2	28	4635	22	0.87	240	36	140	0.14
3	28	4485	23	0.90	205	72	120	0.29
4	28	4345	24	0.94	160	106	95	0.43
5	24	4400	15	0.62	245	0	145	0.00
6	24	4245	16	0.70	220	30	130	0.12
7	24	4110	17	0.75	190	60	110	0.24
8	24	3990	18	0.80	150	90	90	0.36
9	16	3230	6.3	0.41	175	0	105	0.00
10	16	3160	6.6	0.43	160	16	95	0.06
11	16	3075	6.9	0.45	140	33	80	0.13
12	16	2995	7.2	0.47	110	50	65	0.20

U = Voltage · n = Speed (rpm) · P_{ed} = Power consumption · I = Current draw · q_v = Air flow · p_{fs} = Pressure increase

